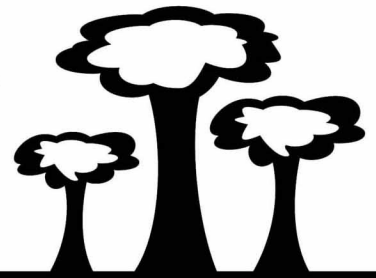




CHITETEZO MBAULA

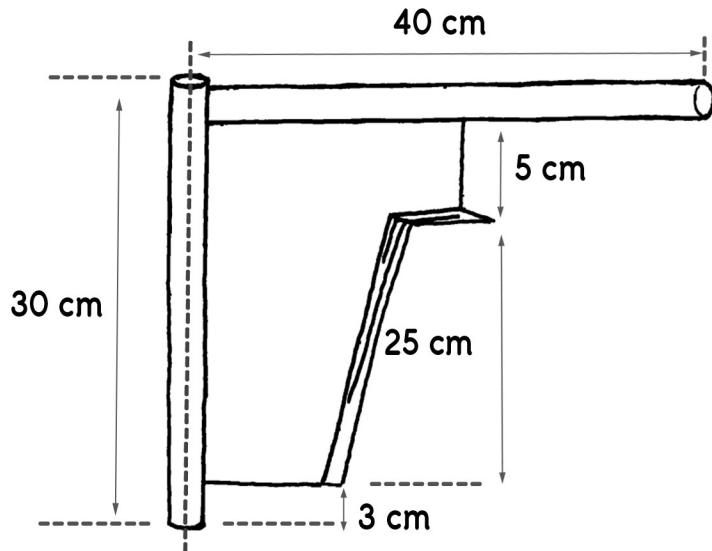
PADDLE MOULD SPECIFICATIONS



Use tested moulds and tools only

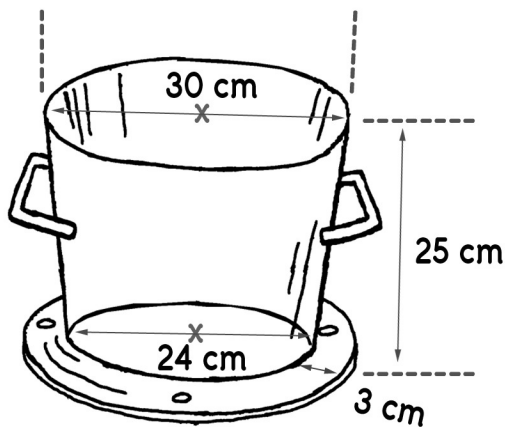
The Paddle

The mould paddle metal gauge is 3 mm.



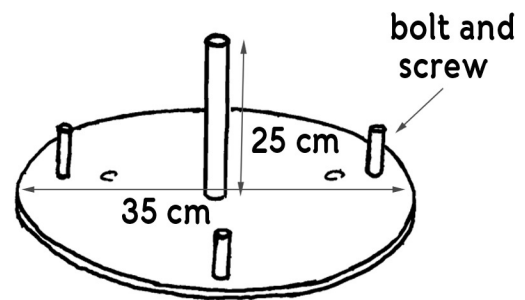
The Body

The moulds body metal gauge is 3 mm



The Base plate

The base plate metal gauge is 6 mm.



X is for internal dimensions

Local manufacturer:

Premier Steel and Engineering Ltd. P.O. Box 1218, Lilongwe.
Engineering queries: Mr. Vinod, 0888833117

