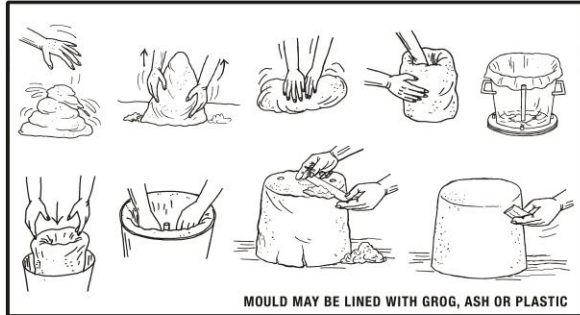


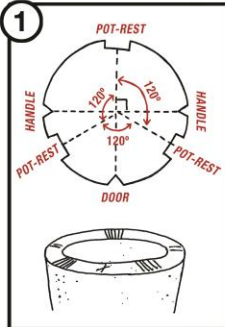


QUALITY CONTROL FOR CHITETEZO MBAULA

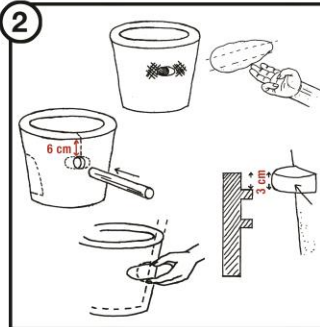


MOULD MAY BE LINED WITH GROG, ASH OR PLASTIC

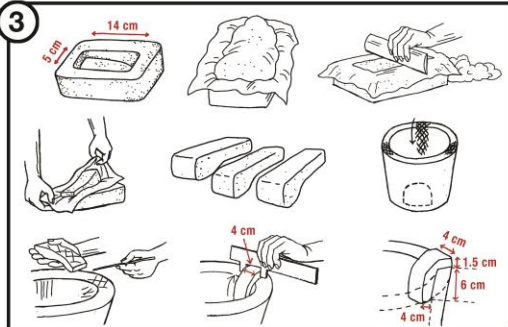
MARKING POSITIONS



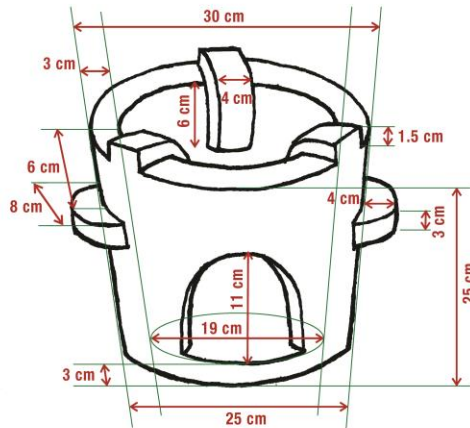
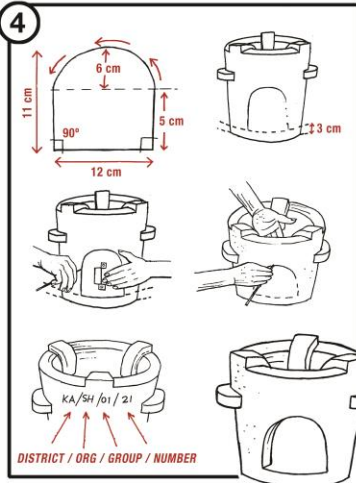
FIXING HANDLES



LAYING POT-RESTS



CUTTING THE DOOR



STOVE MEASUREMENTS REDUCE DURING FIRING

